

TYPE-01 / INDIVIDUAL  
FIXING SYSTEM

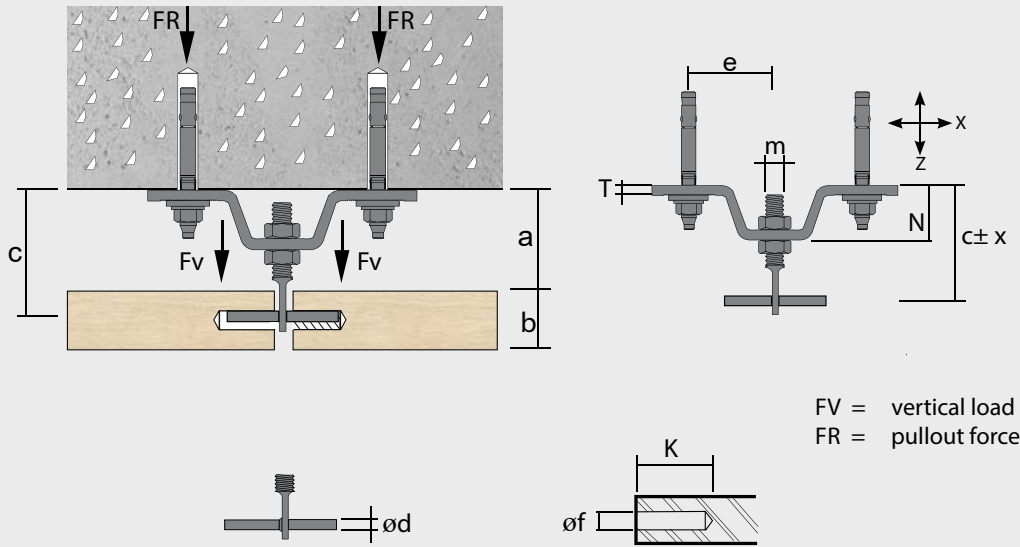
# OMEGA BRACKETS



# OMEGA BRACKET TYPE DO01

It is designed for fastening the natural stone panel beneath a concrete floor slab.

**Horizontal Installation**



FV = vertical load  
FR = pullout force

**Anchoring base:**  
According to the anchor bolt.  
**a** cavity to backside to panel

**Adjustability:**  
in 2 directions  
**x** ± 05 mm    **z** ± 10 mm



## Load Table of Omega Bracket with Returned Leg

Materials SS304, SS316, SS316L, SS316TI, S235JR-MG, S235JR-HDG < 50°C 24h average temperature

Item No.	Bracket Offset (N) mm	Cavity to Pin min - max (C) mm	Dead load max DL kN	Wind load max WL ± kN	Bracket Width mm	Bracket Thickness (T) mm	Ø Pin (dz) mm	FHB A2-70 A4-70	Anchor Comb. Force kN *
700 1100-70.30.3	70	100-110	0.16	0.22	30	3	4	M8	2.30
700 1100-80.30.3	80	110-120			30	3	4	M8	2.40
700 1100-90.35.3	90	120-130			35	3	4	M8	2.50
700 1100-100.35.3	100	130-140			35	3	4	M8	2.50
700 1100-110.40.3	110	140-150			40	3	4	M8	2.50
700 1100-120.40.3	120	150-160			40	3	4	M8	2.60
700 1100-70.55.3	70	100-110	0.28	0.39	55	3	5	M10	4.10
700 1100-80.55.3	80	110-120			55	3	5	M10	4.20
700 1100-90.50.4	90	120-130			50	4	5	M10	4.30
700 1100-100.50.4	100	130-140			50	4	5	M10	4.40
700 1100-110.55.4	110	140-150			55	4	5	M10	4.50
700 1100-120.55.4	120	150-160			55	4	5	M10	4.60
700 1100-70.50.5	70	100-120	0.55	0.77	50	5	6	M12	8.80
700 1100-80.50.5	80	110-130			50	5	6	M12	9.00
700 1100-90.55.5	90	120-140			55	5	6	M12	9.20
700 1100-100.55.5	100	130-150			55	5	6	M12	9.40
700 1100-110.60.5	110	140-160			60	5	6	M12	9.60
700 1100-120.60.5	120	150-170			60	5	6	M12	9.80

Loads per 1 bracket

If loads are bigger or dimensions are different, an individual calculation is needed

\*with safety 3.0

